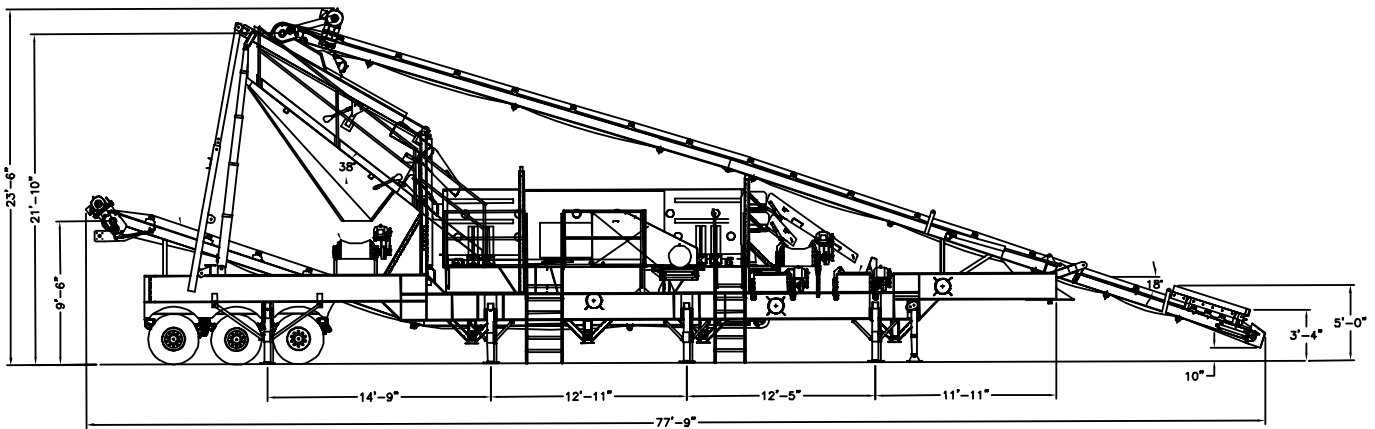
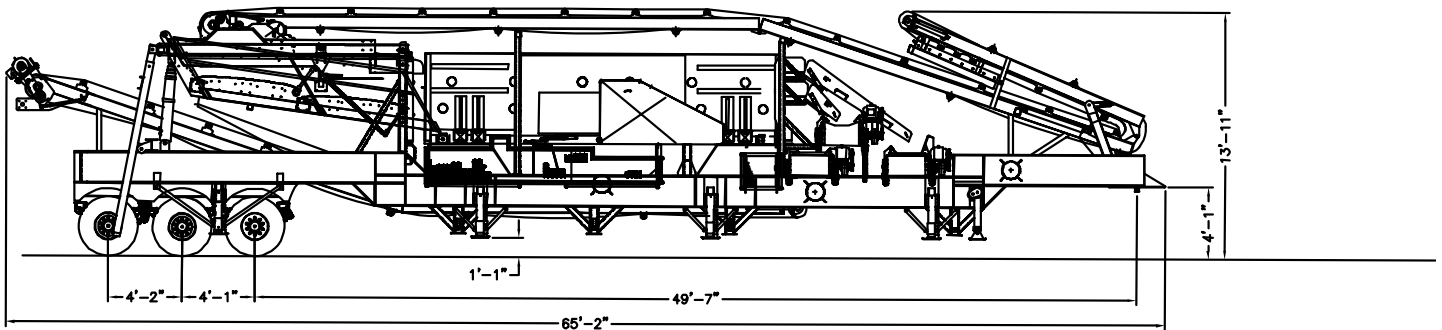


## Operational Mode



## Transportation Mode



### DELIVERY CONVEYOR

- 53' x 36" conveyor with 20 HP electric drive (350 FPM)
- 12" self cleaning wing pulley
- Belting is 220 PIW, 1/8 x 1/16 cover
- Primary belt cleaner with internal spring tensioner

### FINES CONVEYOR

- 43' x 60" conveyor with 15 HP electric drive (350 FPM)
- 12" self-cleaning wing pulley
- Secondary belt cleaner with internal spring tensioner
- Belting is 220 PIW, 1/8 x 1/16 cover

### CHASSIS

- 21" I-Beam with king pin type hitch
- Twelve (12) 11 R22.5 tires and mud flaps
- Leaf spring suspension, air brakes, rear tail lights

### VIBRATING SCREEN(1)

- One (1) 2612D double deck PEP Duo-Vibe® dual frequency screen
- 5' x 10' scalping screen top deck
- 6' x 12' high-frequency screen bottom deck
- Top deck driven by 1200 RPM vibrating mechanism mounted on screen
- Bottom deck driven by five (5) variable speed hydraulic vibrators (0-4200RPM) mounted below screen for directly induced vibrating action
- All vibrators have five (5) force amplitude settings on adjustable slip counterweights
- Hydraulic controls for variable angle operation
- Fines collecting hopper
- Top and bottom deck discharge chutes
- Access ladder with step type walkways and handrails for both sides of screen

NOTE: Specifications are subject to change without notice.

## VIBRATING SCREEN(2)

- One (1) triple deck 6' x 20' flat screen; Oval stroke motion
- Drives, guards; Adjustable stroke and speed; 40 HP drive package
- Step type walkways and handrails for both sides of screen
- Top, middle and bottom deck discharge chutes
- Less screen cloth (top, middle and bottom deck side tension)

## PAINT

- One primer coat, finish coat of KPI Beige

## OPTIONS

- Standard Steel Screen Cloth for 2612D
- Standard Steel Screen Cloth for triple deck screen
- 5<sup>th</sup> Product Conveyor  
(11' x 24" side discharge conveyor to be mounted below 2612D fines hopper and allows customer to produce a 5<sup>th</sup> product)
- Hydraulic Leveling  
(Eight (8) hydraulic leveling jack system; two (2) 4-bank valves, gasoline power unit; swivel shoe, check valve with stiff leg mechanical lock)

## ● Side Conveyors

(Three (3) 11' x 24" roll out conveyors with electric drive (0-280 FPM); Reversible direction; 12" rubber lagged 5 HP motorized head pulley Primary belt cleaner with internal spring tensioner; Belting is 220 PIW, 1/8 x 1/16 cover)

## ● Power & Electrical

(NEMA-4 electrical enclosure; 100 and 200 amp disconnects; Starters to run all electrical motors on plant; five (5) additional size #2 starters to run stacking conveyors from all product conveyors on plant; 110 volt outlet; MSHA approved warning horn for startup; Emergency stop button)

## ● CONSULT FACTORY FOR ADDITIONAL OPTIONS

## PHYSICAL OPERATION CHARACTERISTICS

- Overall Length.....77'9"/23.74m
- Travel Length.....65'2"/19.87m
- Operating Height.....23'6"/7.19m
- Travel Height.....13'11"/4.00m
- Operating Width.....19'6"/5.97m
- Travel Width.....12'/3.66m
- Unit Weight.....98,000lbs/44,452kg



2704 West LeFevre Road  
Sterling, IL 61081  
Phone: (815) 626-6374  
FAX: (815) 626-6430  
[mail@kpijci.com](mailto:mail@kpijci.com)  
[www.kpijci.com](http://www.kpijci.com)

## NOTE: Specifications are subject to change without notice.

Because Astec Mobile Screens may use in its catalog & literature, field photographs of its products which may have been modified by the owners, products furnished by Astec Mobile Screens may not necessarily be as illustrated therein. Also continuous design progress makes it necessary that specifications be subject to change without notice. All sales of the products of Astec Mobile Screens are subject to the provisions of its standard warranty. Astec Mobile Screens does not warrant or represent that its product meet and federal, state, or local statutes, codes, ordinances, rules, standards or other regulations, including OSHA and MSHA, covering safety, pollution, electrical wiring, etc. Compliance with these statutes and regulations is the responsibility of the user and will be dependent upon the areas and the use to which the product is put by the user. In some photographs, guards may have been removed for illustrative purposes only. This equipment should not be operated without all guards attached in their normal position. Placement of guards and other safety equipment is often dependent upon the area and the use to which the product is put. A safety study should be made by the user of the application, and, if required additional guards, warning signs and other safety devices should be installed by the user, wherever appropriate before operating the products.